

View this email in your browser



# Nextelligence Newsletter

Issue #22

August 2024



Environmental  
Solutions Group  
a dover company



## Welcome to the Nextelligence Newsletter!

Welcome to the 22nd edition of the Nextelligence Newsletter. We look forward to continuing to provide the latest news in the Nextelligence training community.

The Nextelligence Newsletter alternates with information related to vital parts of your Heil refuse truck and 3rd Eye camera systems.



## Nextelligence Tech Tips

From Master Trainer Travis Wallen

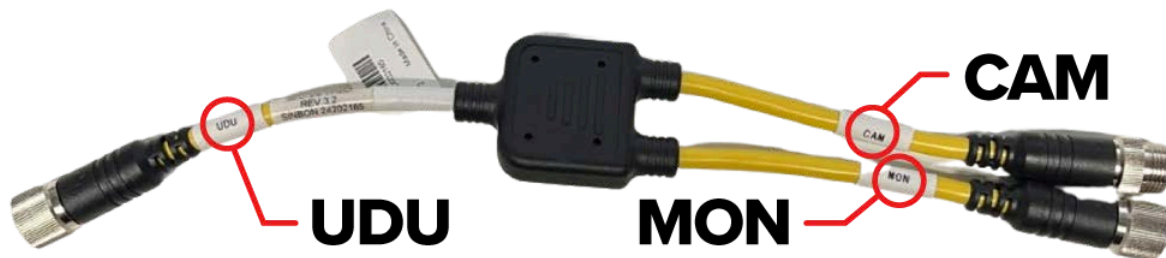
## Why Y Splitters?

This month's Nextelligence Newsletter explains why Y Splitters are used at 3rd Eye, provides proper connections for your 3rd

**Eye Digital System, and emphasizes the importance of replacing Y Splitters rather than bypassing them if they fail.**

## Are all splitters the same?

First, we all call these Y splitters, and more technically, a YPMD Splitter, but these are not traditional splitters. A traditional Y splitter doesn't care where the connections are made on the splitter. Not so with these splitters. There is a connection for the input signal from the camera and two output connections. One output is for the V4 Gateway, also known as the UDU, and another is for the viewing monitor. All of these are labeled for easy identification to aid in proper connections.



The proper connections are critical. The UDU-labeled (Gateway) connector connects to one of the six camera connectors on the Gateway's A/V harness. The CAM-labeled (Camera) connection connects to the camera cable from the Camera, and the MON-labeled (Monitor) connection connects to the viewing Monitor's A/V camera connection. Every camera connected to the Gateway should have a YPMD Splitter. On some occasions, the MON (Monitor) connection will not be connected to anything. That's because it's a camera that the operator doesn't need to view to maneuver the vehicle.

## So, why do we even need a Y splitter?

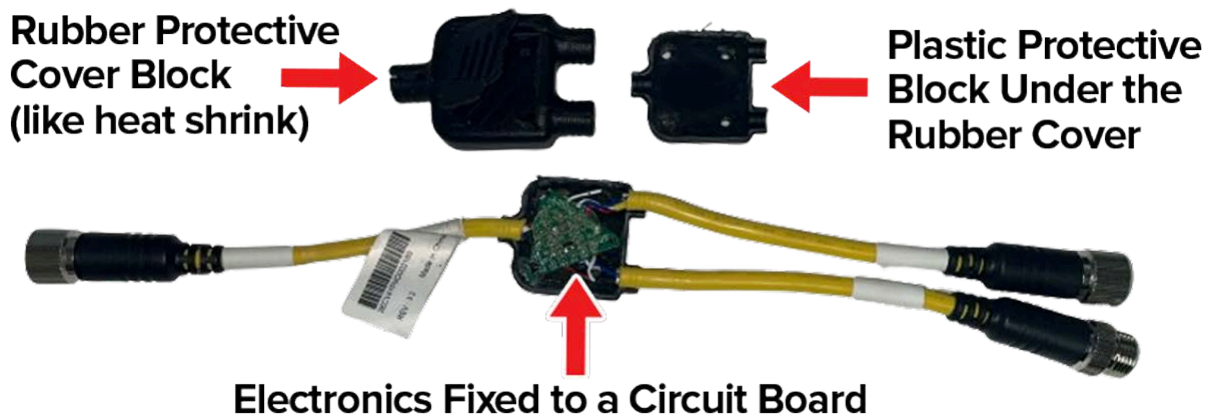
**This is a special splitter. It has a couple of hidden features you may not know about.**

Inside the middle connection block is an electronic protection device that protects the V4 Gateway from electrical shorts if a camera or

camera harness gets damaged. The Gateway is an electronic device similar to a computer and is susceptible to damage if a camera or cable is smashed and shorts out. In the event this does happen, the YPMD Splitter may absorb the short and fail.

The second feature of the YPMD Splitter is that it helps strengthen the camera signal, resulting in less interference and better clarity.

## What's inside a Y splitter? Let's find out.



There is not much to repair here;  
replace with part number **3EC-V4-YPMD**

## Can't I just bypass the Y splitter?

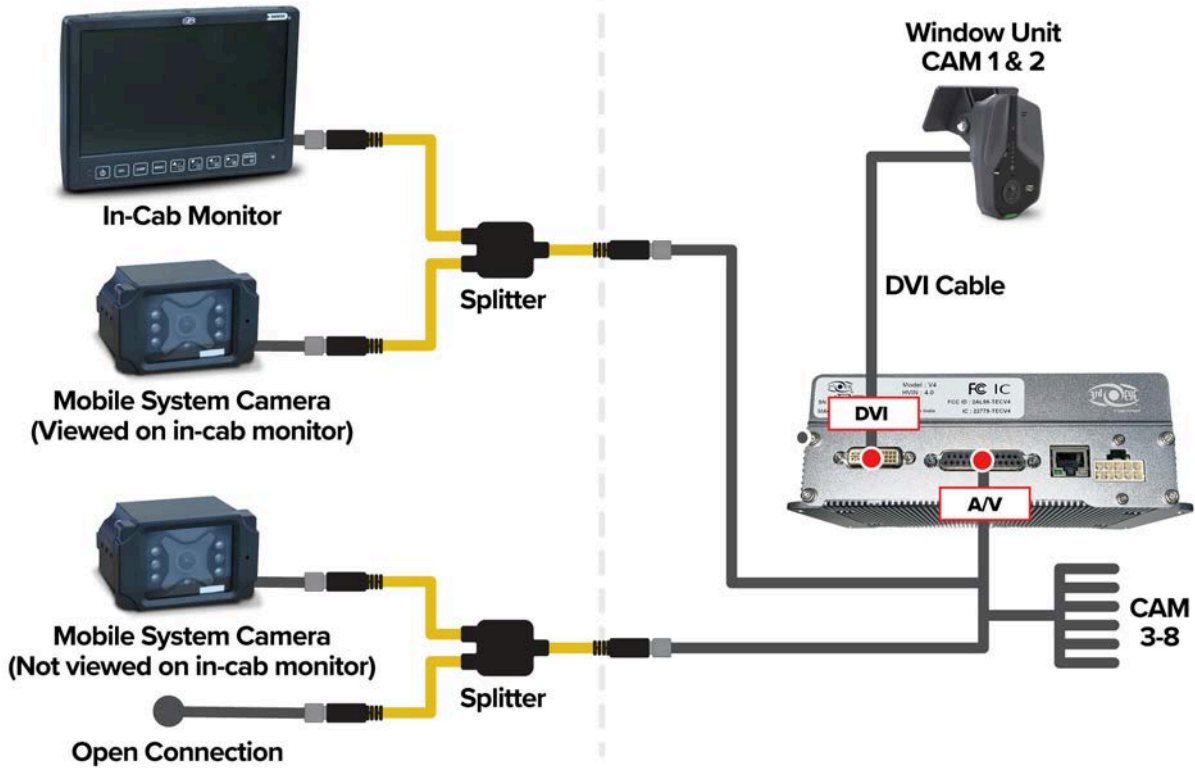
If you bypass the YPMD Splitter and have a device or cable that suffers damage, the V4 Gateway will be vulnerable to damage. Damage to the V4 Gateway due to short circuits from damaged cables and cameras is not warrantable and could be very expensive.

Always use a YPMD Splitter for every camera signal entering the V4 Gateway to protect from this.

**Below is an illustration of proper YPMD Splitter connections, both with and without a connection to the viewing monitor.**

## 3RD EYE MOBILE SYSTEM

## 3RD EYE DIGITAL SYSTEM



## Utilize The 3rd Eye Microsite!

The 3rd Eye Microsite is an invaluable validation tool that allows you to confirm that repairs have been made successfully.

If your fleet is running the 3rd Eye Digital System and you don't have access to the Microsite, reach out to 3rd Eye Technical Support today at 866-804-2984 or email them at [support@3rdeyecam.com](mailto:support@3rdeyecam.com)

## In the next 3rd Eye Newsletter

# Troubleshooting a window unit that has stopped working.

GET THE NEWSLETTER

---

Would you like to know more about 3rd Eye systems and related topics? Good news! We teach that in our 3rd Eye Nexteligenca classes. You can get in-depth training by contacting us to register for a Nexteligenca class at [Nexteligenca@doveresg.com](mailto:Nexteligenca@doveresg.com)

CONTACT US

---

## Contact Info & Helpful Links

### Miss a Newsletter?

No problem - You can now view all past Nexteligenca newsletters by visiting our Archives page.

[VIEW NEWSLETTER ARCHIVES HERE](#)

---

**The 2024 Nexteligenca Training Schedule Is Here!**

The 2024 Training Schedule is now available and can be viewed via the Nextelligence webpage, or on the Heil Dealer Portal.

## 2024 Live Online Webinar 3rd Eye Training Schedule

3rd Eye Training Dates	3rd Eye Product Training	Delivery Method	Time
August 6th	Camera	Webinar	12 pm - 4 pm
August 7th	Digital	Webinar	12 pm - 4 pm
September 10th	Camera	Webinar	12 pm - 4 pm
September 11th	Digital	Webinar	12 pm - 4 pm
October 8th	Camera	Webinar	12 pm - 4 pm
October 9th	Digital	Webinar	12 pm - 4 pm

## 2024 3rd Eye Factory Training Schedule

3rd Eye Training Dates	3rd Eye Product Training	Delivery Method	Time
August 22nd	Camera/Digital	Factory	8 am - 12 pm
September 26th	Camera/Digital	Factory	8 am - 12 pm
October 24th	Camera/Digital	Factory	8 am - 12 pm

[VIEW FULL 2024 TRAINING SCHEDULE](#)

---

## Nextelligence Class Registration

Feel free to contact us anytime if you have any training questions or to register for one of our training classes.

[EMAIL TRAINING](#)

---



## Service Shack

Visit the 3rd Eye Service Shack for helpful training and instructional videos

[View Service Shack](#)

---

## Sign Up for the Nextelligence Newsletter!

To sign up or add team members, click the button below!

EMAIL TRAINING



**DISCLAIMER:** REFER TO THE SERVICE MANUAL BEFORE ATTEMPTING ANY WORK OR REPAIRS. THIS DOCUMENTATION IS PROVIDED FOR INFORMATIONAL PURPOSES ONLY. NO WARRANTY, GUARANTEE, OR PROMISE IS MADE AS A RESULT. PLEASE SEE THE RESPECTIVE ESG TERMS OF SALE AND/OR APPLICABLE WARRANTY STATEMENT FOR THE SOLE AND EXCLUSIVE WARRANTY OFFERED. WE CANNOT CONTROL THE SAFETY OF YOU, YOUR PROCESSES, OR YOUR WORKSPACE – PLEASE ACT ACCORDINGLY.

*Copyright © 2024 The Heil Co. - All rights reserved.*

**Our mailing address is:**

Environmental Solutions Group  
201 W. Main Street, Ste 300  
Chattanooga, TN 37408

Want to change how you receive these emails?  
You can [update your preferences](#) or [unsubscribe from this list](#).